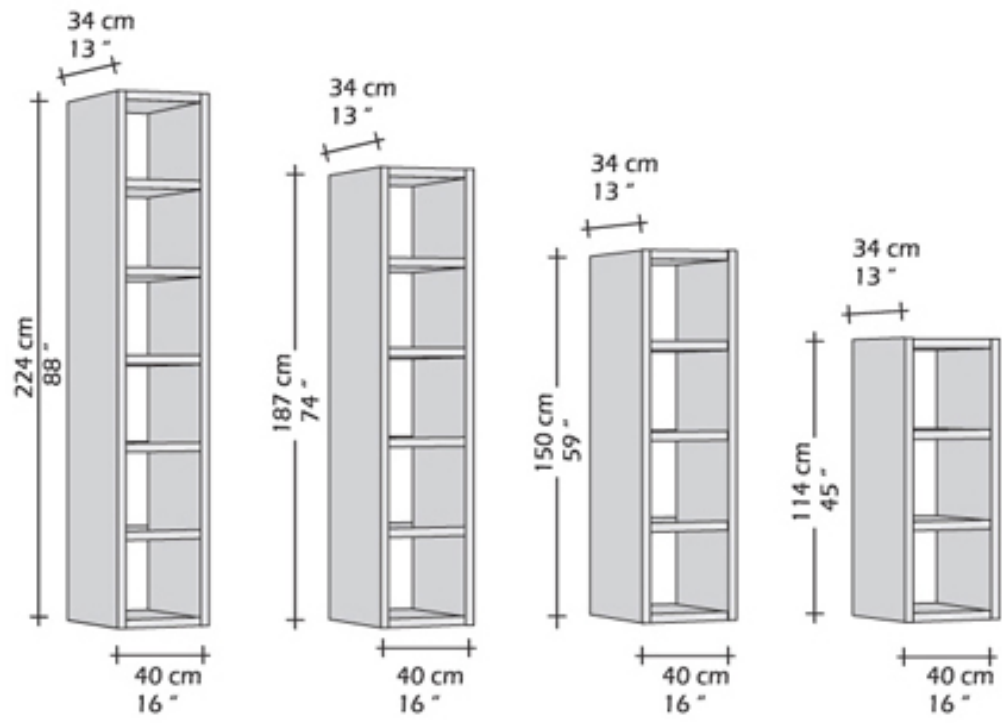
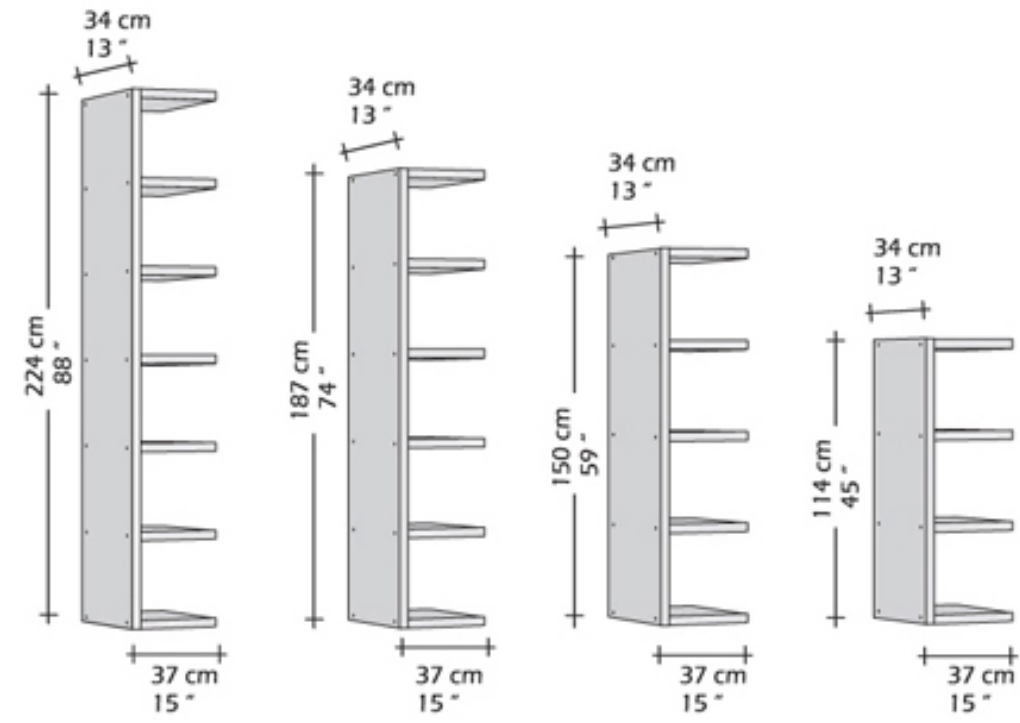


POMBOL SHELVING OPTIONS

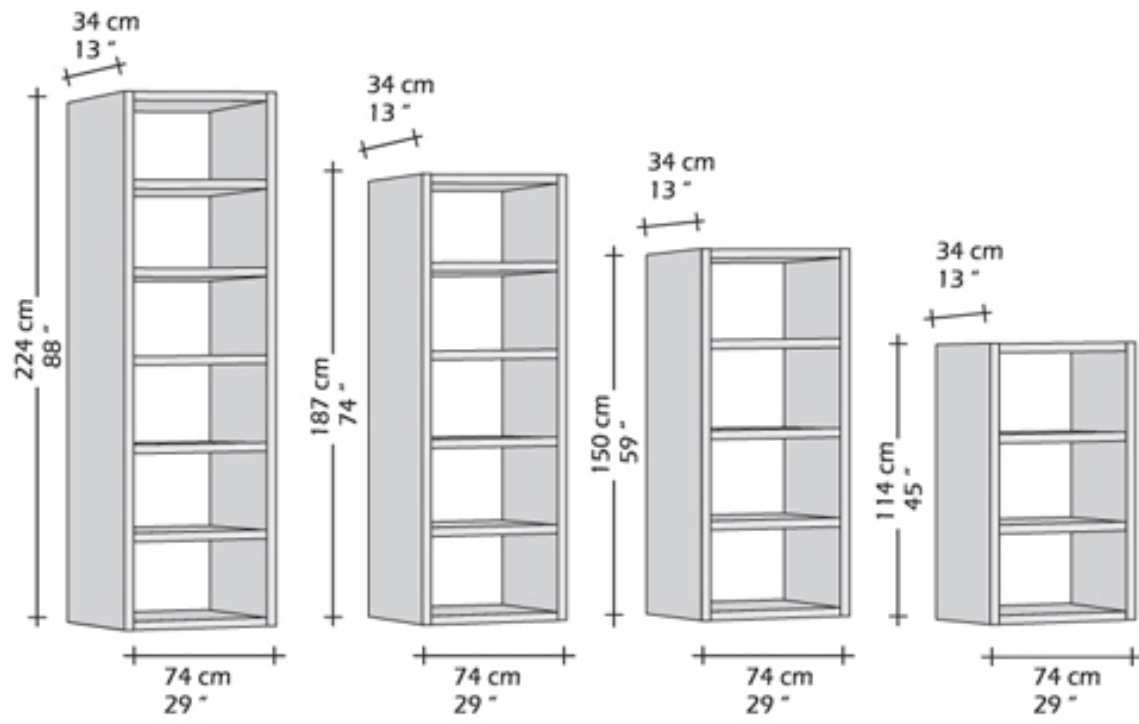
KIT A (2 END SIDES + SHELVES)



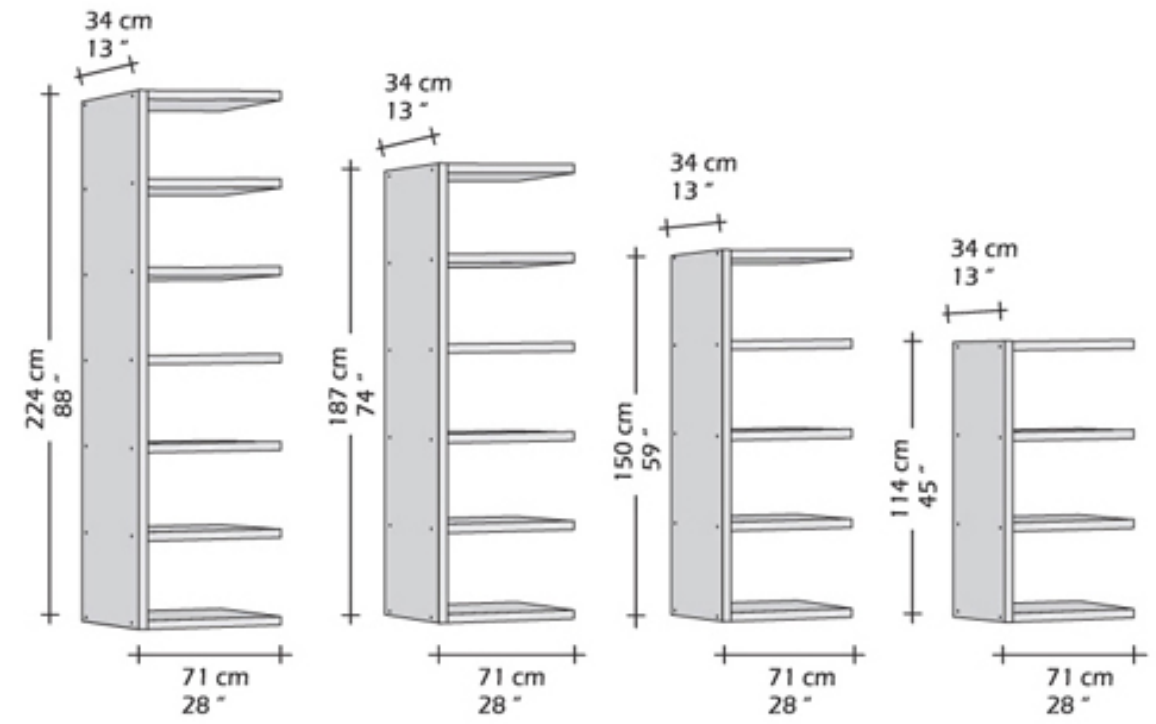
KIT B (1 MIDDLE SIDE + SHELVES)



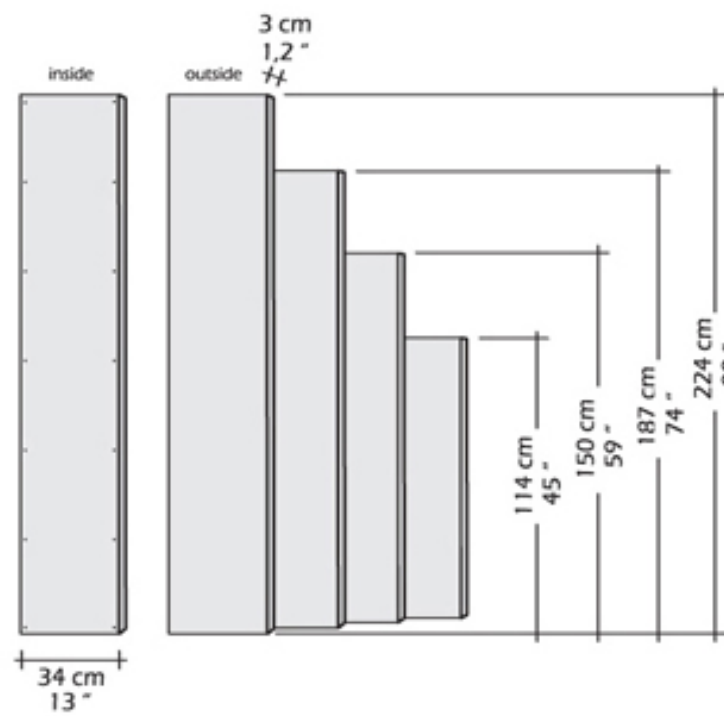
KIT A (END SIDE A + SHELVES)



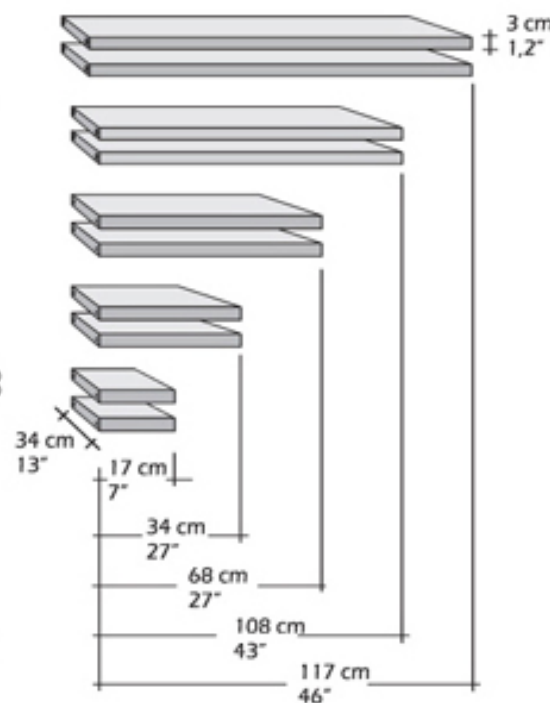
KIT B (MIDDLE SIDE B + SHELVES)



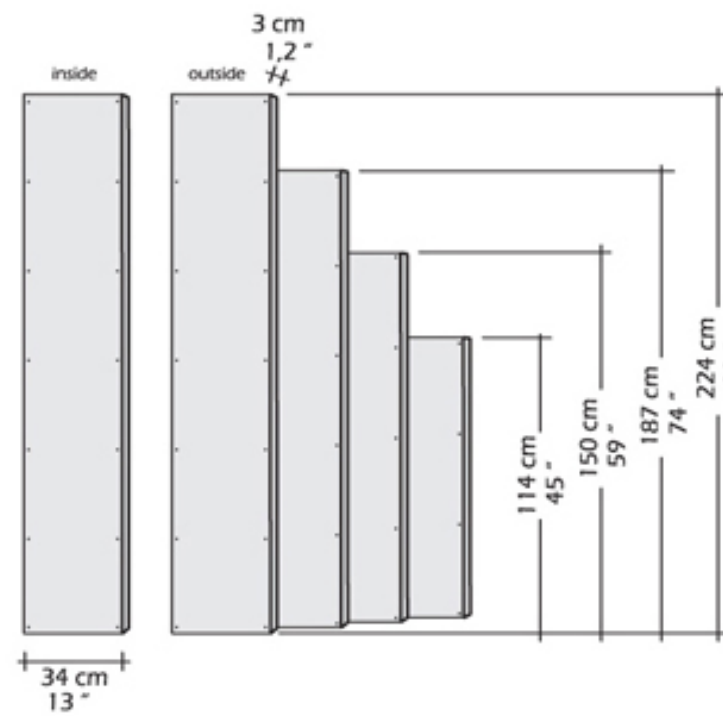
END SIDE A



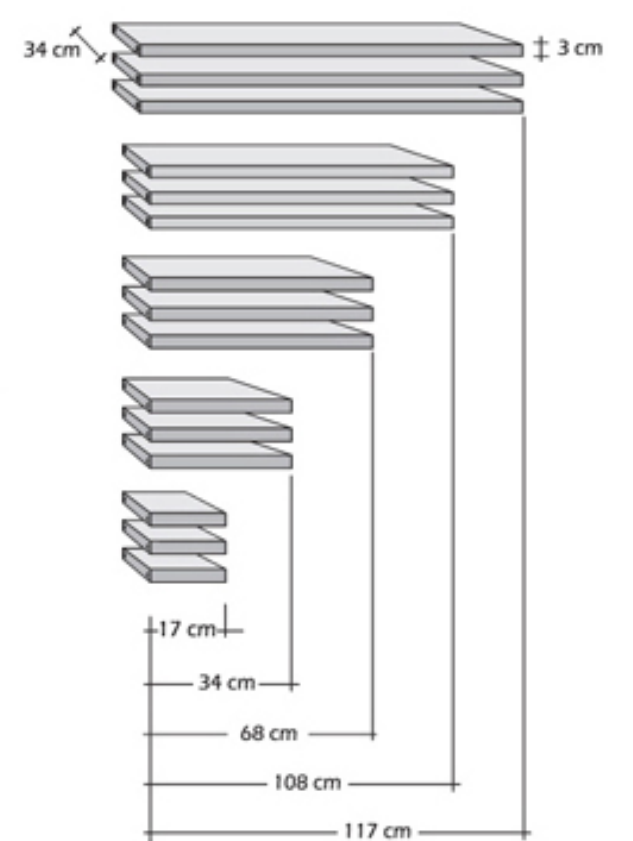
SETS OF 2 SHELVES



MIDDLE SIDE B



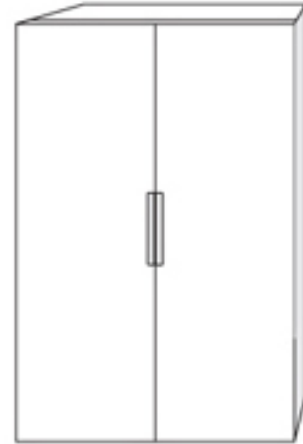
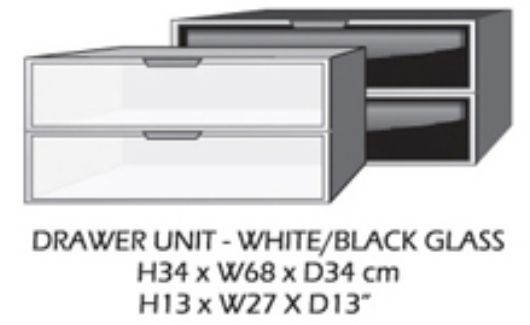
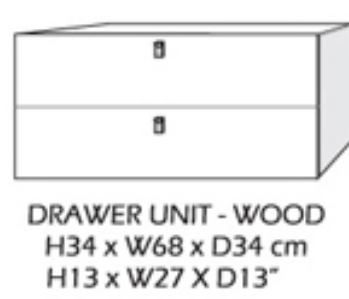
SETS OF 3 SHELVES



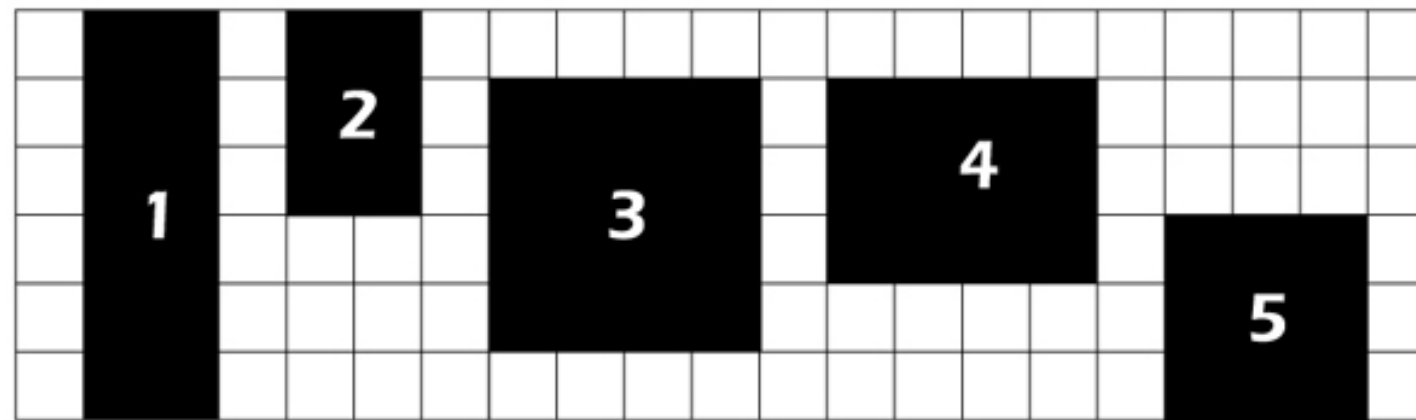
POMBOL SHELVING OPTIONS

MODULES *

* Check available finishes for modules and tv tables.



SLIDING GLASS DOORS



1 SLIDING DOOR 2x6
H221 x W75,5 X D2,1 cm
H87 x W30 x D0,8"

2 SLIDING DOOR 2x3
H110 x W75 X D2,1 cm
H43 x W29 x D0,8"

5 SLIDING DOOR 3x3
H110 x W112,4 X D2,1 cm
H43 x W44 x D0,8"

3 SLIDING DOOR 4x4
H146,7 x W149,2 X D2,1 cm
H58 x W59 x D0,8"

4 SLIDING DOOR 4x3
H110 x W149,2 X D2,1 cm
H43 x W59 x D0,8"

FITTINGS



H2,7 X W225 X D1cm
H1 X W89 X D0,4"

H2,7 X W299 X D1cm
H1 X W118 X D0,4"

TV TABLES

